

# P-Series Differential Pressure Transmitter



**PAT** | 4~20mA, 2-WIRE



**PATD** | 4~20mA, 2-WIRE,  
4Digit LCD Display



**PATD-A** | 4~20mA, 2-WIRE,  
(대기압계) 4Digit LCD Display

PAT or PATD Series 차압계는 공기 또는 비부식성 기체의 차압, 정압, 연성압(±), 진공압, 게이지압을 정밀하게 ( $\pm 0.25\%$ ) 측정하여 전류(4~20mA) 신호로 출력한다.

Zero점의 조정, Range의 변경은 전면의 key를 통한 간단한 조작으로 할 수 있게 되어 있으므로 조정하는 작업자에 의한 오류, 편차를 줄일 수 있다.

PAT or PATD Series Pressure Transmitter are measures positive, negative(vacuum) and differential pressure of air and non corrosive gases. And for the variously choice of ranges available to suit your needs precisely.

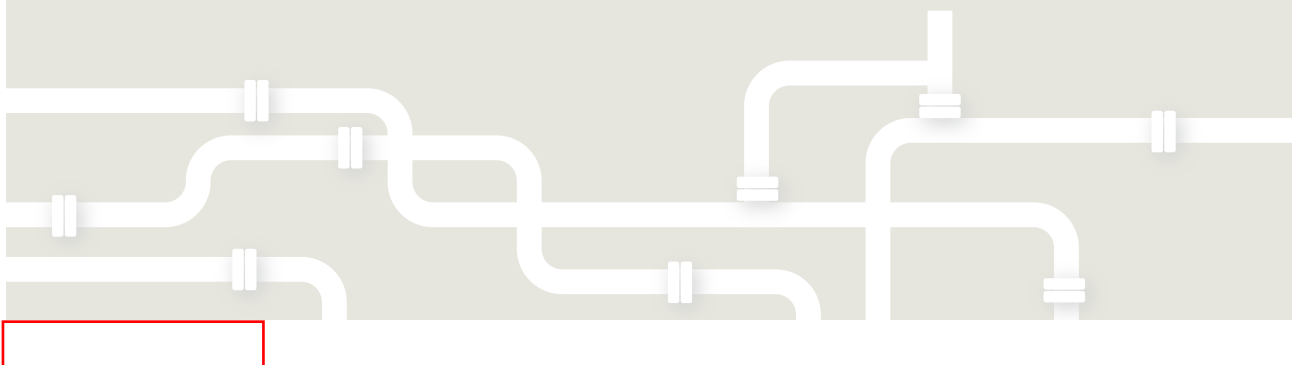
The PAT or PATD Series is a basic 4~20mA Transmitter with uni-directional and bi-directional spans.

And 1~5V voltage out put is available too. PATD Series has 4 digits LCD Display, and it can be adjust zero & span by one touch key on the front pad. It is very easy to set.

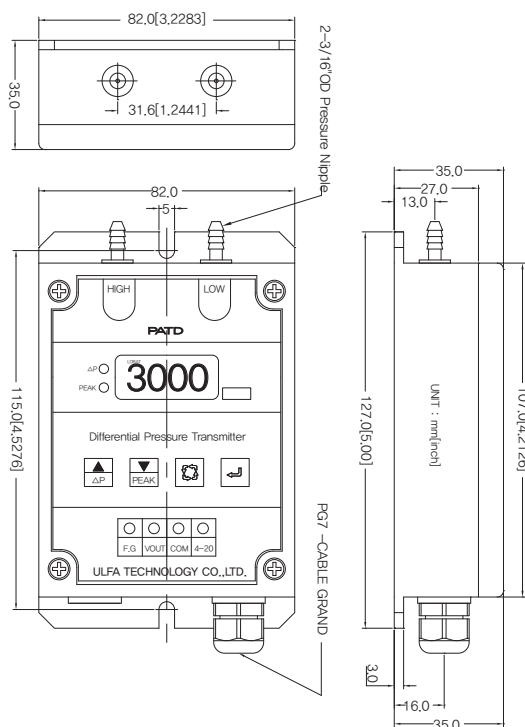
And it has additional functions of peak pressure monitoring and deviation(offset) pressure measure function.

These functions are very easy to use by one touch key on the front pad too.

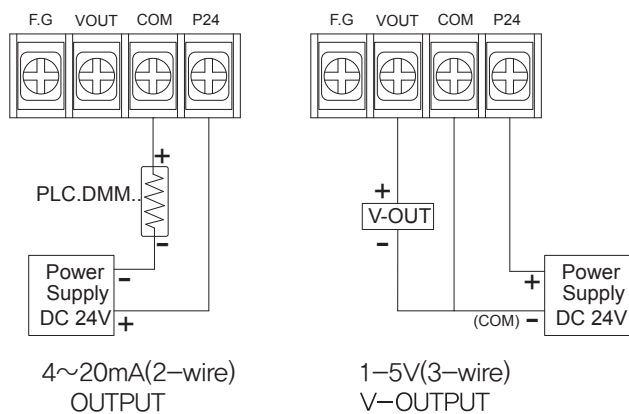
Accuracy is  $\pm 0.25\%$  of full scale available.



## Dimension



## Wiring



### GENERAL

Maximum Pressure : Rated Range x 2  
 Media Compatibility : 공기 및 비부식성기체  
 Pressure Range : Order Production

### ELECTRICAL

Power Supply : DC24V 2-Wire Loop Power  
 Connections : 2 Screw Terminal Block  
 Display : 4 Digit LCD(PATD)  
 Warm up Time : 15 minutes

### TRANSMITTER

Connections : 2 Screw Terminal Block  
 Output Signal : 4~20mA DC (limited at 30mA DC)  
 Loop Resistance : 0~1100Ω  
 Zero & Span Adj : One Touch Adjustable On Panel

### PERFORMANCE AT 23°C

Zero Output : 4 mA (Adjustable or 1V)  
 Full Span Output : 20 mA (Adjustable or 5V)  
 Accuracy : ±0.25% FSO (Includes Linearity, Hysteresis & Repeatability)  
 Operating Temperature : -40 to 85°C  
 Compensated Temperature : -10 to 70°C

### MECHANICAL

Pressure Connections : 3/16" Nipple  
 Materials : ABS mold resin  
 Weight : Approx, 215g

### STANDARD ACCESSORIES

PG-7, Trus Head Screw Black 4\*12(2EA)

※ OPTION : RS-485 적용 가능(PATD)